

MiniE MiniE Thermal Imager



MiniE is your affordable solution for home inspection and thermal troubleshooting. With its advanced features like SuperIR image enhancement and precise temperature readings, identifying problem areas and making informed decisions have never been easier. Customize your image effects with the support of a custom palette. Plus, its compatibility with both iOS and Android devices makes it a convenient and reliable tool for thermal imaging. Whether you're a homeowner or a DIY enthusiast, the MiniE is the versatile smartphone thermal camera that will assist you in all your thermal imaging needs.

▪Key Features

- Thermal resolution: 96 × 96 (9, 216 pixels)
- SuperIR image enhancement technology on live view and captured images
- 3-in-1: USB-C (iOS & Android), Lightning (Includes a Lightning to USB-C adapter)
- NETD: < 50 mK (@ 25 °C, F#=1.0)
- Accuracy: ±2 °C (-20 °C to 100 °C) ; ±2 % (100 °C to 400 °C)
- 20 g Weight

▪ Specification

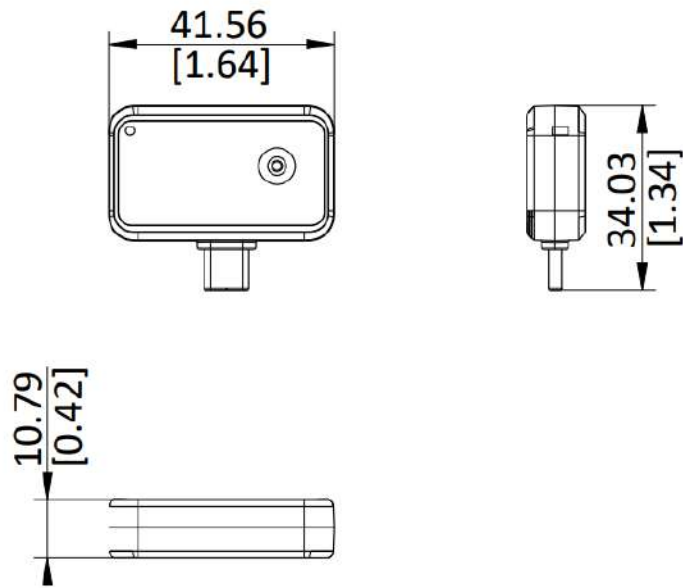
Infrared Image	
IR Resolution	96 × 96 (9, 216 pixels)
SuperIR	Yes, on captured images and live view
NETD	< 50 mK (@ 25 °C, F#=1.0)
Image Frequency	25 Hz
Detector Pitch	12 μm
Spectral Range	7.5 to 14 μm
Focal Length	1.35 mm
F-number	F1.0
Field of View (FOV)	50° × 50°
Min. Focus Distance	0.1 m (0.33 ft)
Focus Mode	Focus Free
Image Display	
Color Palettes	White Hot, Black Hot, Rainbow, Ironbow, Sepia, Color, Ice Fire, Rain, Red Hot, Green Hot, Dark Blue, Combined, Custom Palette
Image Modes	Thermal, PIP
Measurement and Analysis	
Object Temperature Range	Range -20°C to 150°C (-4°F to 302°F) Range 100°C to 400°C (212°F to 752°F)
Accuracy	Max (±2°C/3.6°F, ±2%), for ambient temperature 15°C to 35°C (59°F to 95°F) and object temperature above 0°C (32°F)
Measurement Tools	Center Spot, Hot Spot, Cold Spot User-definable: 3 spots, 3 rectangles and 1 line .
Level and Span Mode	Auto/Manual
General	
Power Consumption	310 mW
Interface	USB-C Android, USB-C iOS, Lightning iOS (Includes a Lightning to USB-C adapter)
Device Compatibility	iOS (version 14 and later), Android (version 7 and later) smartphones and tablets, or Windows devices
Software Compatibility	HIKMICRO Viewer app for iOS and Android
Protection Level	IP40
Drop Test Height	1 m (3.28 ft)
Working Temperature Range	-10°C to 50°C (14°F to 122°F)
Storage Temperature Range	-20°C to 60°C (-4°F to 140°F)
Dimension	41.56 × 34.03 × 10.79 mm (1.64 × 1.34 × 0.42 in)
Weight	Approx. 20 g (0.044 lb)

▪ Available Model

HM-TJ10G-1ARF-MiniE

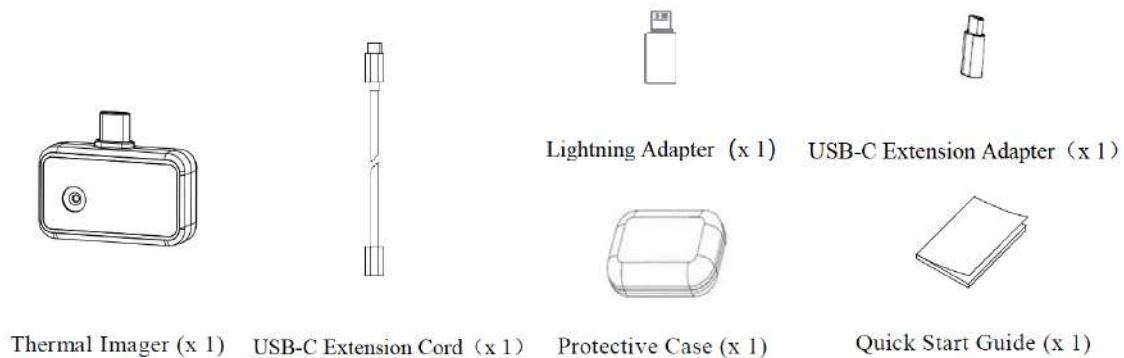
HM-TJ10-1ARF-MiniE

•Dimension



Unit: mm [inch]

•Packaging List



- **COMPLIANCE NOTICE:** The thermal series products might be subject to export controls in various countries or regions, including without limitation, the United States, European Union, United Kingdom and/or other member countries of the Wassenaar Arrangement. Please consult your professional legal or compliance expert or local government authorities for any necessary export license requirements if you intend to transfer, export, re-export the thermal series products between different countries.



 Hikmicro Industrial

 hikmicro_industrial

 HIKMICRO Industrial

 HIKMICRO

 info@hikmicrotech.com

 www.hikmicrotech.com

© Hangzhou Microimage Software Co., Ltd. All Rights Reserved.

*Note: Specifications are subject to change without notice. For the current specs,
please go to www.hikmicrotech.com